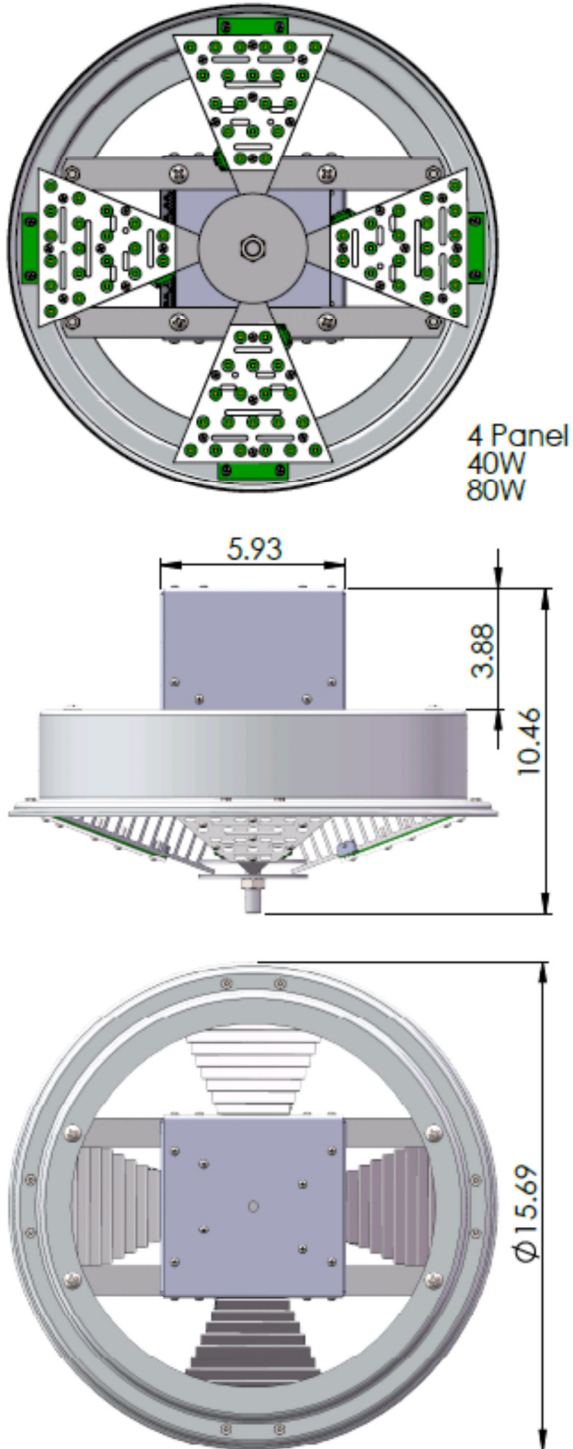


SSI-High Bay080-OR

Cell 256-200-5219
 Office 256-224-9708
 sales@secondsuninc.com



Technical Specifications

Item	LED High Bay
Material	Aluminum
Color Temp	5,700K
CRI	83
Lumens	11520
Lumens per Watt	137@277V
Voltage	120-277
Watts	84@277V
Temp Range	-40° to 75°C
Rated Life	100,000 hrs
Light Distribution	Type 5
Mounting Height	>8 Feet
Lens	Optional
Warranty	5 Years
Replaces	