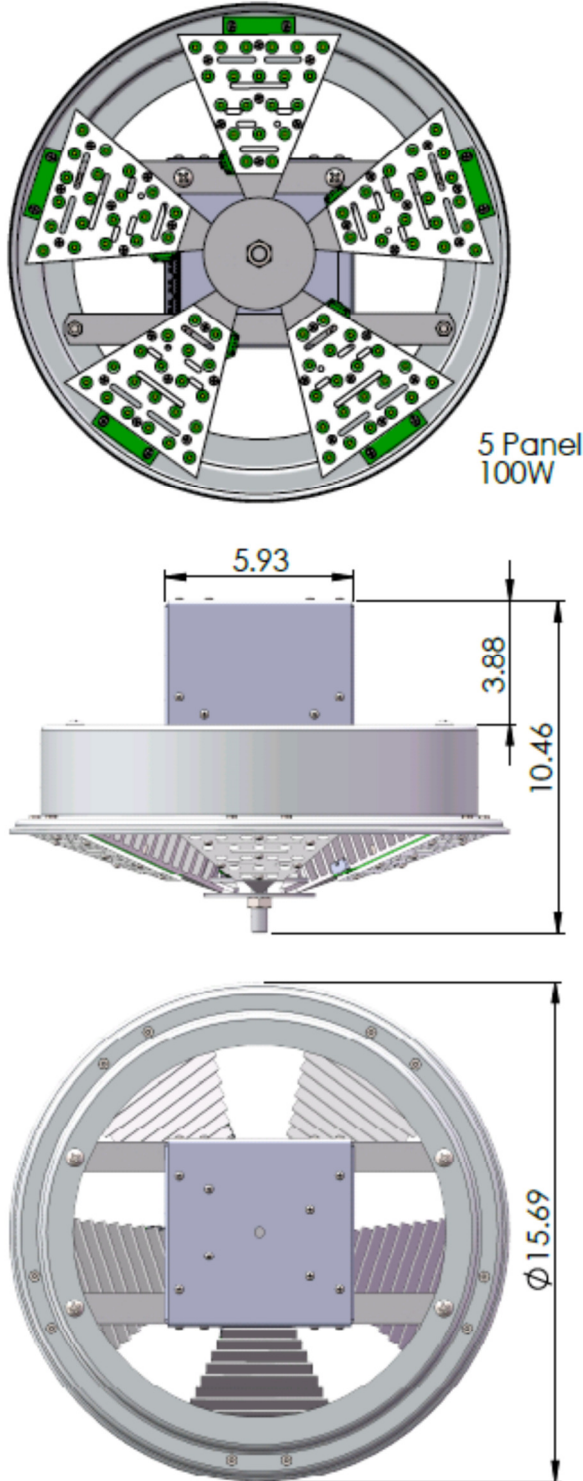


# SSI-High Bay100-OR

Cell 256-200-5219  
 Office 256-224-9708  
 sales@secondsuninc.com



## Technical Specifications

Item	LED High Bay
Material	Aluminum
Color Temp	5,700K
CRI	83
Lumens	14400
Lumens per Watt	133
Voltage	120-277
Watts	108
Temp Range	-40° to 75°C
Rated Life	100,000 hrs
Light Distribution	Type 5
Mounting Height	>10 Feet
Lens	Optional
Warranty	5 Years
Replaces	400W HPS/MH