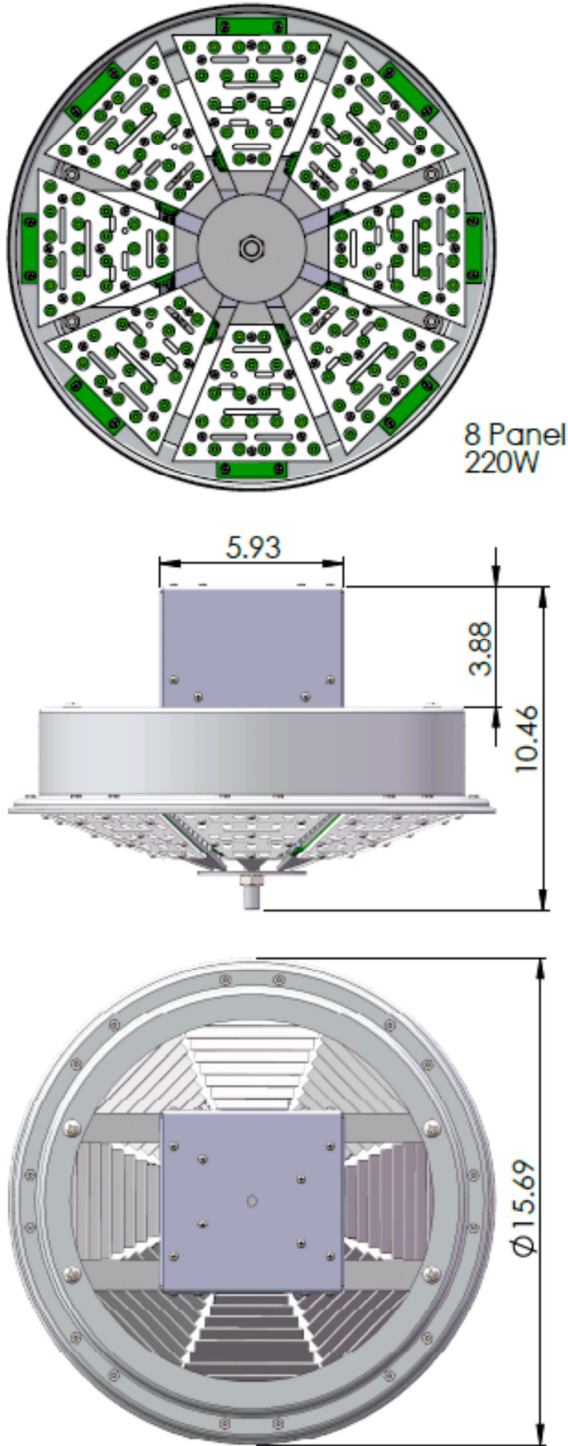


SSI-High Bay220-OR

Cell 256-200-5219
 Office 256-224-9708
 sales@secondsuninc.com



Technical Specifications

Item	LED High Bay
Material	Aluminum
Color Temp	5,700K
CRI	83
Lumens	29120
Lumens per Watt	121@277
Voltage	120-277
Watts	239@277
Temp Range	-40° to 75°C
Rated Life	100,000 hrs
Light Distribution	Type 5
Mounting Height	>20 Feet
Lens	Optional
Warranty	5 Years
Replaces	1000W HPS/MH
Weight	<20 lbs